

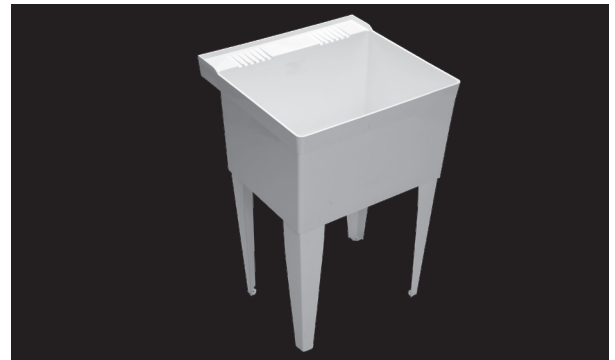
PFLT2123



Single Basin Laundry Sinks

Product Features

- Made from a Sheet Molding Compound (SMC), a plastic composite made up of filler, fire retardant, thickener, and internal mold release that have been mixed with liquid resin and a catalyst, and molded under extreme heat and pressure to create a laundry tub with unparalleled strength.
- Floor-mounted units are equipped with white baked enamel steel angle legs with leveling devices.
- Knock-out holes provided for 4" center set faucet holes.
- Internal Basin Depth: 13"
- Capacity: 76 Liters (20 gal)



PFLT2123

Model Numbers

- PFLT2123** Floor Mounted Multi-Purpose Sink
- PFLT2123W** Wall Mounted Multi-Purpose Sink*

*Wall-mounting hardware and filler panels included

Available Parts

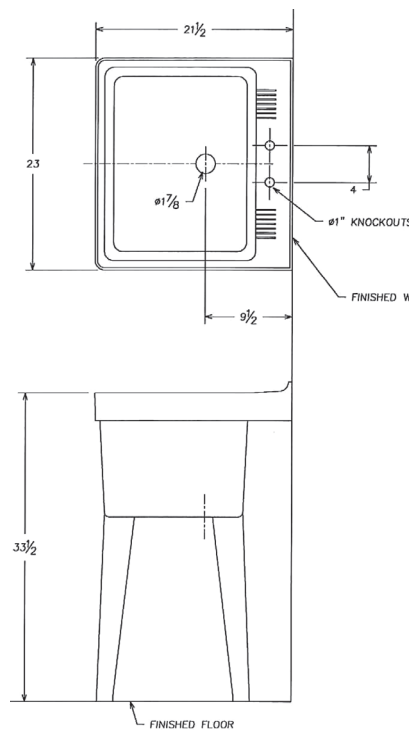
PART #	DESCRIPTION
PFLTLEGS	LEGS F/PFLT SET 4 WHITE
PFLTWM	WM PART KIT F/PFLT

Optional Accessories

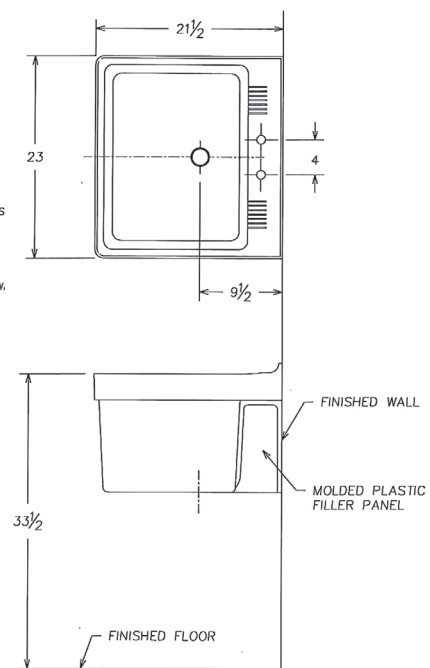
- PF83BRSS** Chrome plated stainless steel sink strainer
- PF93SS** Stainless steel sink strainer

Product Features

PFLT2123 - Floor Mounted



PFLT2123W - Wall Mounted



Warranty and Codes

These products come complete with installation, operating, care and maintenance instructions. All PROFLO laundry sinks carry a 1-year limited warranty. In an effort to continually improve our products, we will make design changes from time to time. We reserve the right to ship newly designed product to fill any order unless we agree in writing to do otherwise.

